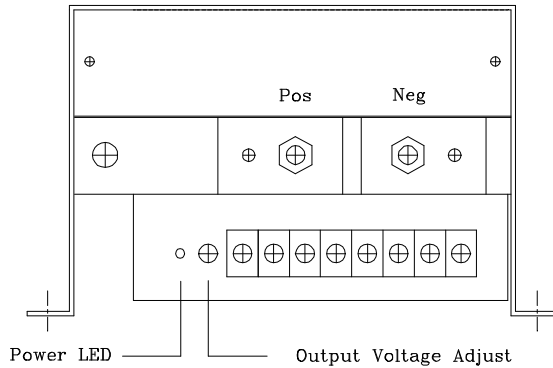


A. J. & L. Taylor Ltd.

Thorpe Street, Ramsbottom, Lancashire, England. BL0 9QJ.

Tel (44) 01706 826021 Fax (44) 01706 827769 <http://www.ajltaylor.co.uk>

1939SM 32 Amp Power Supply



The **1939SM** is a 32 amps, 500 watt switch mode power supply.

Features :

Adjustable Output from 13.8 to 18.5 volts DC.

Current limit set at 35 amps.

World-wide operation from 90 ~ 260 volts AC 47 ~ 63 HZ.

AC current consumption 7 amps ~ 115V 3.5 amps ~ 240V

Safety standards UL 1950, TUV EN60950

EMC standards EN55022 class B, EN610000-4-2,3,4,5,6,8,11, EN61000-3-2,3

Automatically controlled cooling fan.

Short Circuit, over load, over voltage & over temp protection.

High efficiency and reliability.

100 % full load burn-in-test.

Power factor correction .98 @ 115VAC .95 @ 230VAC

Size 175 mm wide x 270 mm deep x 110 mm high

Weight 3 Kg

The power supply must be positioned in a well ventilated area.